

10-W Inductor Free Stereo Audio Amplifier with Low EMI

DESCRIPTION

The EUA2380 is a high efficiency 2 channel bridged-tied load (BTL) Class-D audio power amplifier, driving stereo speakers at up to 10W/CH with 6Ω or 8Ω Load. The EUA2380 features a differential input architecture offering improved noise immunity over a single-ended (SE) input amplifier.

Advanced EMI Suppression Technology with Spread Spectrum Control enables the use of inexpensive ferrite bead filters at the outputs while meeting EMC requirements for system cost reduction.

EUA2380 is not only fully protected against shorts and overload, an adjustable power limiter and a DC detection circuit for protection of the connected speakers. The DC detect and Pin-to-Pin, Pin-to-Ground and Pin-to-Power Short Circuit protection circuit protect the speakers from output DC and pin shorts caused in production. The short circuit protection and thermal protection includes an auto recovery feature.

EUA2380 is available in thermally efficient 28-pin TSSOP package and will be able to output full power on a 2-layer PCB.

FEATURES

- Wide Supply Voltage: 4.5V to 14.5V
- Enhanced Modulation Scheme Reduces EMI Emission
- 10-W/ch into an 6-Ω Load From a 12-V Supply
- 10-W/ch into an 8-Ω Load From a 13-V Supply
- Differential Inputs or Single-Ended input
- Speaker Protection Circuitry
- 26-dB Fixed Gain
- Power Limit Function
- Thermal and Short-Circuit Protection
- 28-pin TSSOP Package with Thermal Pad
- RoHS compliant and 100% lead(Pb)-free Halogen-Free

APPLICATIONS

- Televisions
- USB Speaker
- Mini Speaker
- Consumer Audio Equipment

Typical Application Circuit

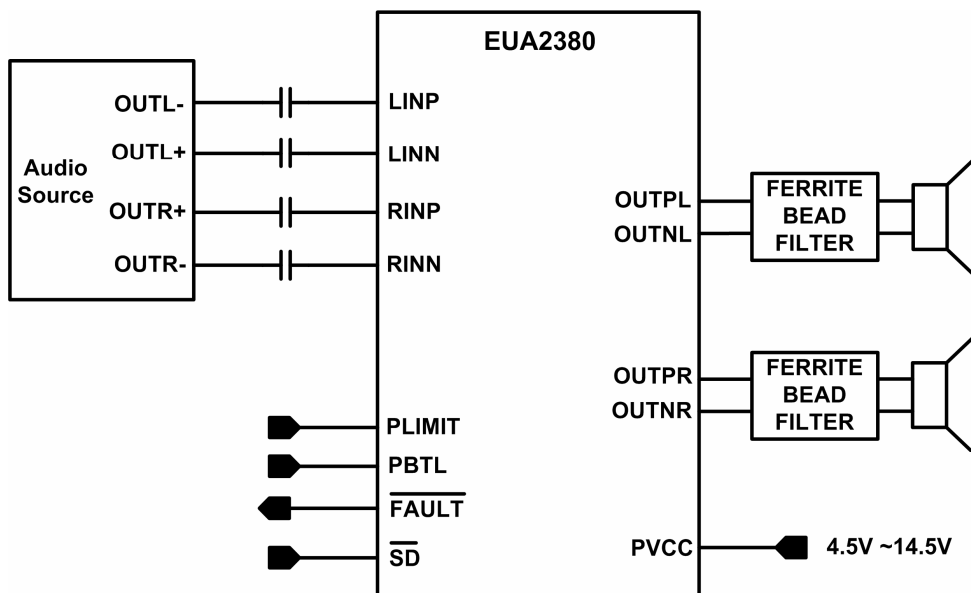


Figure1. Simplified Application Schematic