

## 6.5-W Mono Class-D

## Audio Power Amplifier

### DESCRIPTION

The EUA2107 is a high efficiency, mono bridged-tied load (BTL), class-D audio power amplifier. Operating from a 12V power supply, EUA2107 is capable of delivering 6.5W of continuous output power to a 8Ω load with 10% THD+N. The EUA2107 features a differential input architecture offering improved noise immunity over a single-ended (SE) input amplifier. Amplifier gain is internally configured and can be selected to 12, 18, 23.6 or 35.5dB utilizing the Go and G1 gain select pins.

The EUA2107 also features short-circuit and thermal protection preventing the device from being damaged during a fault condition. The EUA2107 is available in thermally efficient 24-pin TSSOP package and does not require an external heat sink.

### FEATURES

- Wide Supply Voltage: 5.5V to 24V
- Unique Modulation Scheme Reduces EMI Emission
- 6.5W into 8Ω Load From 12V Supply (10% THD+N)
- Short circuit Protection (Save two Schottky Diodes.)
- Low Supply Current...8mA Typ at 12V
- Shutdown Current.....1μA Typ
- 24-pin TSSOP Package with Thermal Pad
- RoHS Compliant and 100% Lead(Pb)-Free Halogen-Free

### APPLICATIONS

- 2.1 Notebook PCs
- LCD Monitors/TVs
- PC Surround Speakers
- Hands-Free Car Kits

### Typical Application Circuit

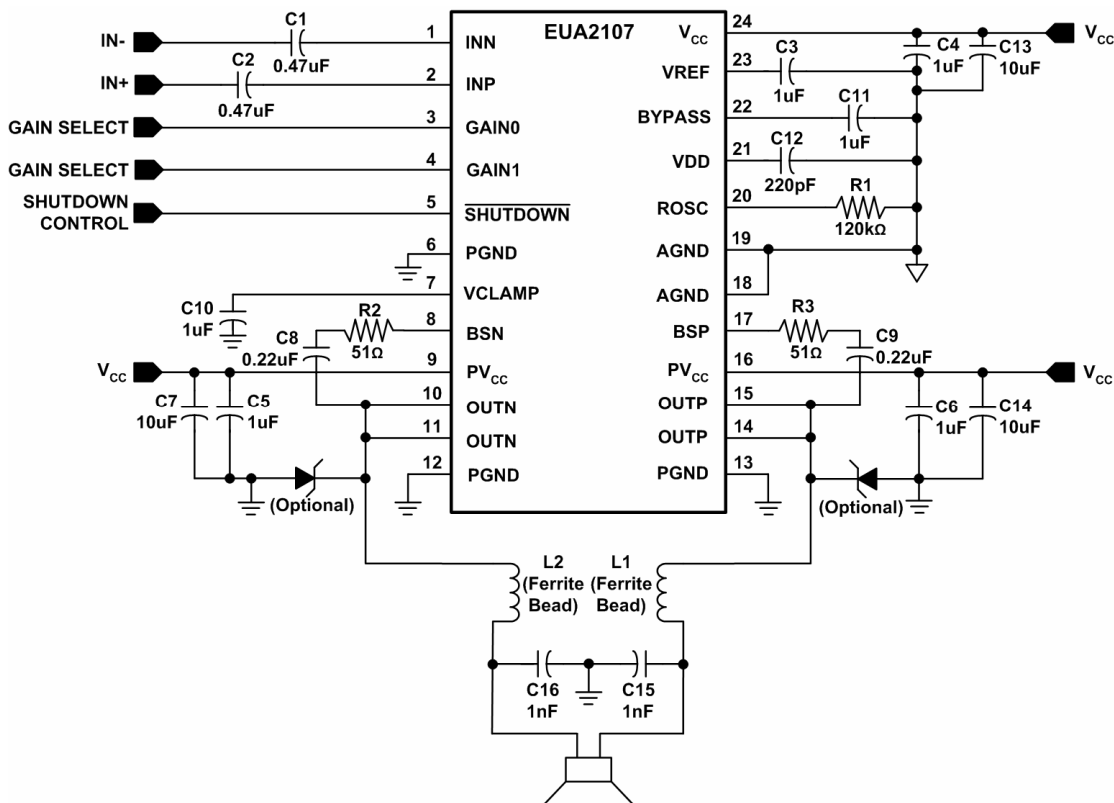


Figure1.